



ARCHITECTONIC PATH LIGHTING

A special luminaire with a LED module that is placed between two 5 MM thick aluminum plates. The luminaire is equipped with a black plastic POM base. You can fix this luminaire direct on a surface or in the ground with the separately ordered grounding pin.

ray

45 / 70

SPECIFICATIONS		RAY 45 / 70
HEIGHT		45 CM / 70 CM
LIGHTSOURCE		LUXEON M
COLOR TEMP.		2700 K
LUMEN OUTPUT		700 LM
OPTIC		FORWARD OPTIC
RATED VOLTAGE		24 V DC
DIMMABLE		YES
POWER		7.2 W
IP CLASS		IP65
INSULATION CLASS		III

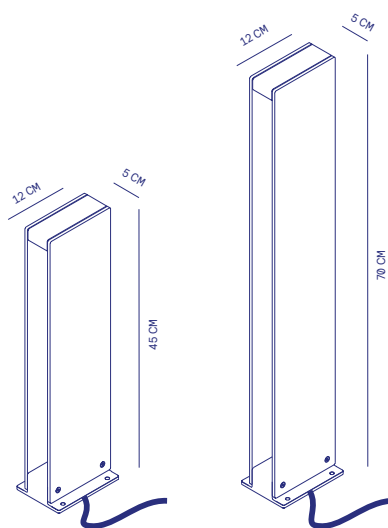


INSTALLATION

The luminaire is equipped with 1 meter neoprene cable: 05RN-F 2 x 1 MM².
A separate 24 V DC power supply is required to operate the luminaire.

→ pg 90 RAY 45 GROUNDSPIKE E
RAY 70 GROUNDSPIKE C

ORDER N ^o .	BLACK	GREY
RAY 45	1912	1913
RAY 70	1917	1918



RAY 45

RAY 70