



OUTDOOR SPOT / PATH LIGHTING

**Anodized aluminum spike with integrated LED module. The LED module is adjustable and can be fixed with two stainless steel screws. The LED modules are cast in and have a protection class IP65. The spike is available as a spike-mono, with one LED module. There is also a spike duo with two LED modules. This way you always have sufficient light.**

# spike

mono / duo

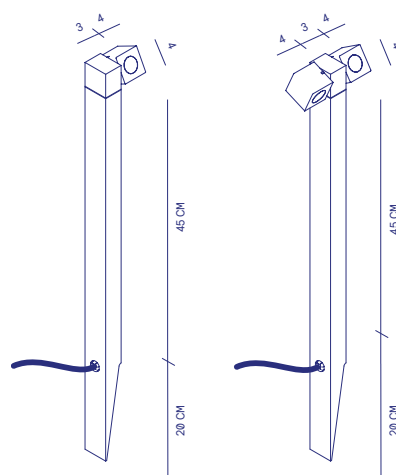
| SPECIFICATIONS   | SPIKE MONO / DUO    |
|------------------|---------------------|
| HEIGHT           | 45 CM               |
| LIGHTSOURCE      | LUXEON REBEL        |
| COLOR TEMP.      | 2700 K              |
| LUMEN OUTPUT     | 160 LM / 2 X 160 LM |
| OPTIC            | 25°                 |
| RATED VOLTAGE    | 24 V DC             |
| DIMMABLE         | YES                 |
| POWER            | 3 W / 6 W           |
| IP CLASS         | IP65                |
| INSULATION CLASS | III                 |



## INSTALLATION

The luminaire is equipped with 1 meter neoprene cable: 05RN-F 2 x 1 MM<sup>2</sup>. A separate 24 V DC power supply is required to operate the luminaire.

| ORDER N <sup>o</sup> . | NATURAL ANODISED | BLACK ANODISED |
|------------------------|------------------|----------------|
| <b>SPIKE MONO</b>      | 1050             | 1052           |
| <b>SPIKE DUO</b>       | 1070             | 1072           |



SPIKE MONO

SPIKE DUO