



DEXTER

LIGHTING COLLECTION 2024

THE COLLECTION

TERRACE

MOONLIGHT → pg 4

VALENCIA → pg 6

VECTOR TERRACE → pg 8

BOLLARD

BENT ZZZ → pg 10

BLADE → pg 12

CUBE XL POLE → pg 14

EYE → pg 16

EYE SPOT → pg 18

RAY → pg 20

REED → pg 22

SPIKE → pg 24

TORCH → pg 26

TOWER → pg 28

VECTOR POLE → pg 30

WALL

BENT WALL → pg 32

BRICK → pg 34

CUBE → pg 36

CUBE FROSTED → pg 38

EDDY → pg 40

LIV LINEAR → pg 42

VECTOR PIVOT → pg 44

VECTOR WALL → pg 46

CEILING

CUBE CEILING → pg 48

VECTOR CEILING → pg 50

VECTOR PIVOT → pg 52

IN-GROUND

EOS → pg 54

SELENE → pg 56

ACCESSORIES

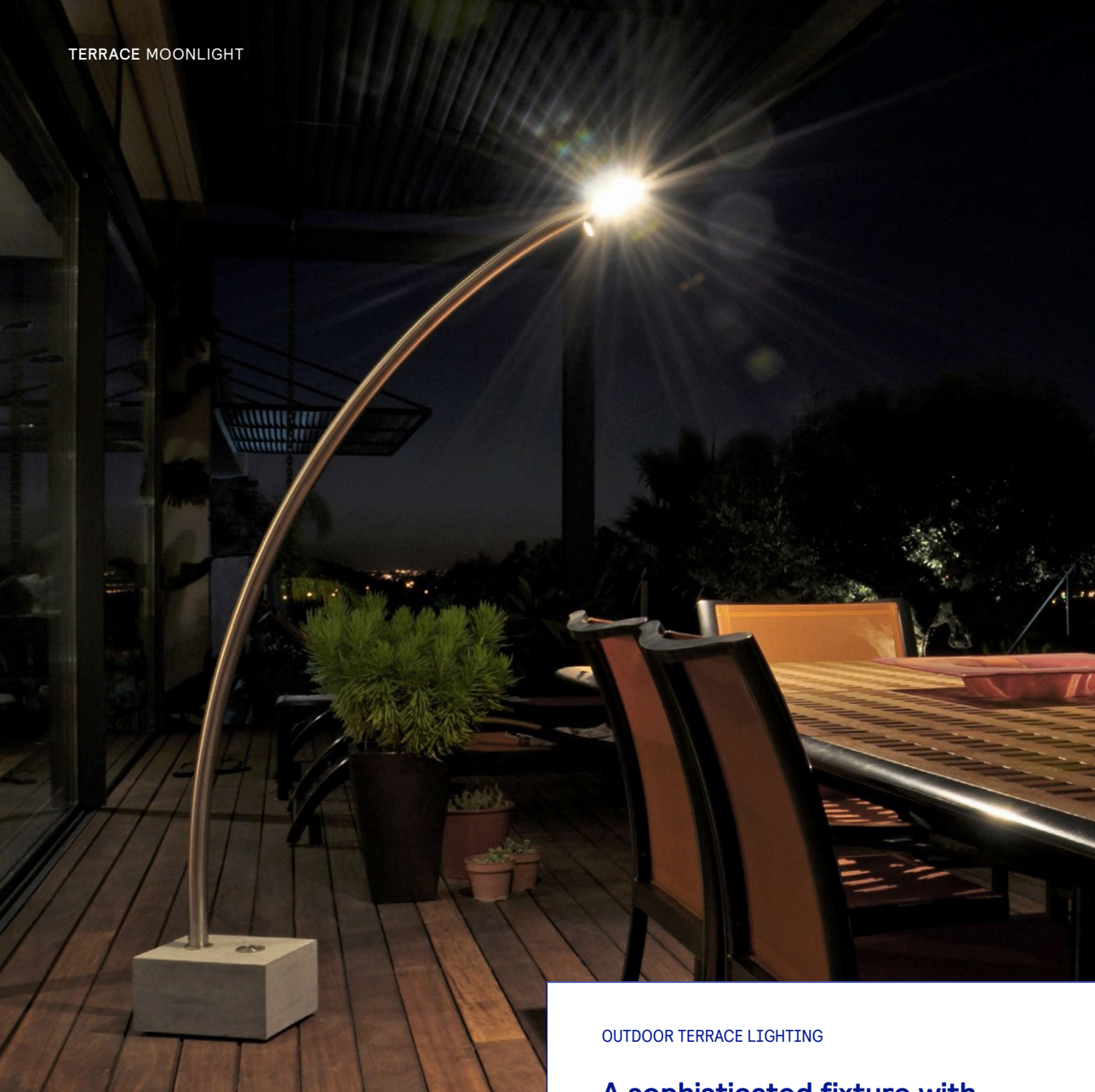
MOUNTS → pg 58

DX-CONNECT → pg 60

230V MAINS → pg 62

MATERIALS & COLORS → pg 64



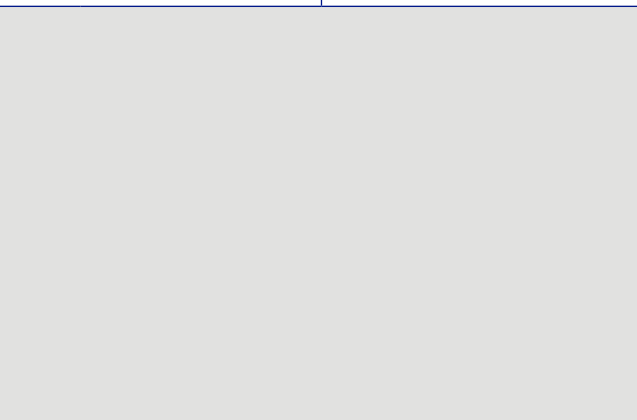


moonlight

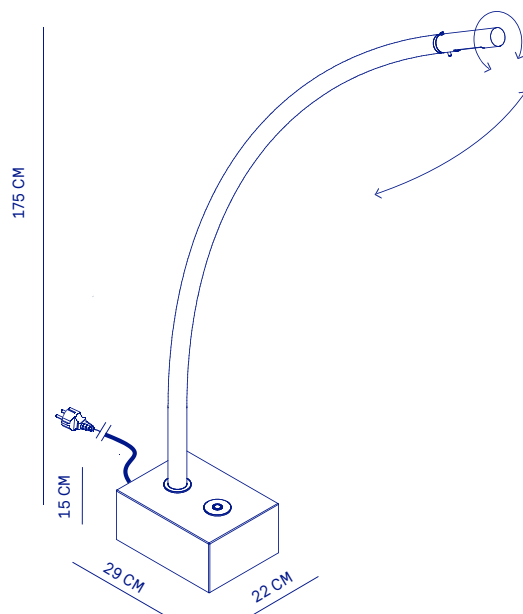
OUTDOOR TERRACE LIGHTING

A sophisticated fixture with adjustable and rotatable lamp capabilities, ideal for both indoor and outdoor use. Its stainless steel frame and sturdy hard stone base ensure durability and suitability for outdoor environments.

SPECIFICATIONS		MOONLIGHT / MOONLIGHT CASAMBI
LIGHTSOURCE		LUXEON 3014
COLOR TEMP.		2700 K
LUMEN OUTPUT		600 LM
OPTIC		DIFFUSER
RATED VOLTAGE		230V 50-60HZ
DIMMABLE		PUSHBUTTON / CASAMBI
POWER		8 W
IP CLASS		IP44
INSULATION CLASS		II
WEIGHT		27 KG
CABLE		5 M + EURO PLUG



ARTICLE NO.	
MOONLIGHT	0520
MOONLIGHT CASAMBI	0530



MOONLIGHT



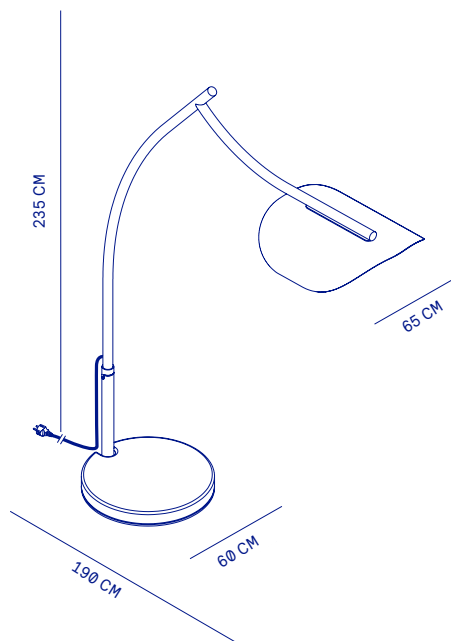
valencia

OUTDOOR TERRACE LIGHTING

A large outdoor light designed with a long reach to effortlessly illuminate expansive areas. Its design draws inspiration from botanical elements, incorporating cut-outs in the shade to foster an open and airy feel, allowing the internal illumination to be visible from the outside. The interplay of light and shadow produces a striking effect, with brighter colors shining through where the light meets the inner surface.

DESIGN: JOEL EN KATE BOOY / STUDIO TRULY TRULY

SPECIFICATIONS		VALENCIA	
LIGHTSOURCE	LUXEON 3014		
COLOR TEMP.	2700 K		
LUMEN OUTPUT	2350 LM (MAX)		
OPTIC	DIFFUSER		
RATED VOLTAGE	230V 50-60HZ		
DIMMABLE	CASAMBI		
POWER	27 W		
IP CLASS	IP44		
INSULATION CLASS	I		
WEIGHT	25 KG		
CONCRETE BALLAST	35 KG		
CABLE	5 M + EURO PLUG		
ARTICLE NO.	BLACK	OLIVE GREEN	
VALENCIA	2211	2210	



VALENCIA

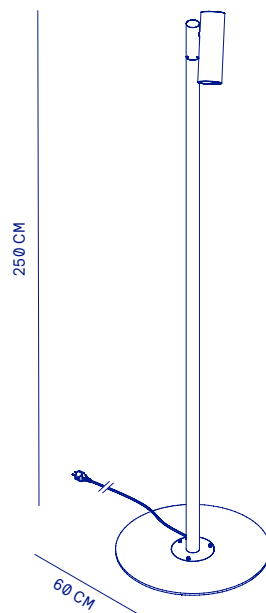


OUTDOOR TERRACE LIGHTING

vector terrace

A sizable freestanding floor luminaire that adds ample brightness and a touch of style to both outdoor and indoor spaces. It serves as the ideal choice for illuminating terraces, expansive patios, and even hotel lobbies.

SPECIFICATIONS		VECTOR TERRACE
LIGHTSOURCE	LUXEON COB	
COLOR TEMP.	2700 K	
LUMEN OUTPUT	1400 LM	
OPTIC	25° FROSTED	
RATED VOLTAGE	230V 50-60HZ	
DIMMABLE	TRIAC	
POWER	12 W	
IP CLASS	IP44	
INSULATION CLASS	I	
WEIGHT	18 KG	
CABLE	5 M + EURO PLUG	



ARTICLE N°.

BLACK**VECTOR TERRACE****2712**

VECTOR TERRACE

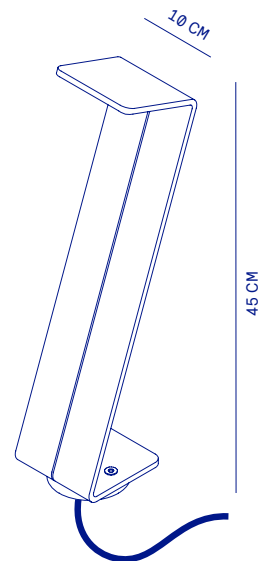


DESIGN BOLLARD

An innovative path lighting fixture crafted with elegance and simplicity in mind. This unique bollard is created by folding a single aluminum plate, resulting in a sleek and modern design. Available in a range of two colors, it offers both functionality and aesthetics to illuminate pathways and outdoor spaces.

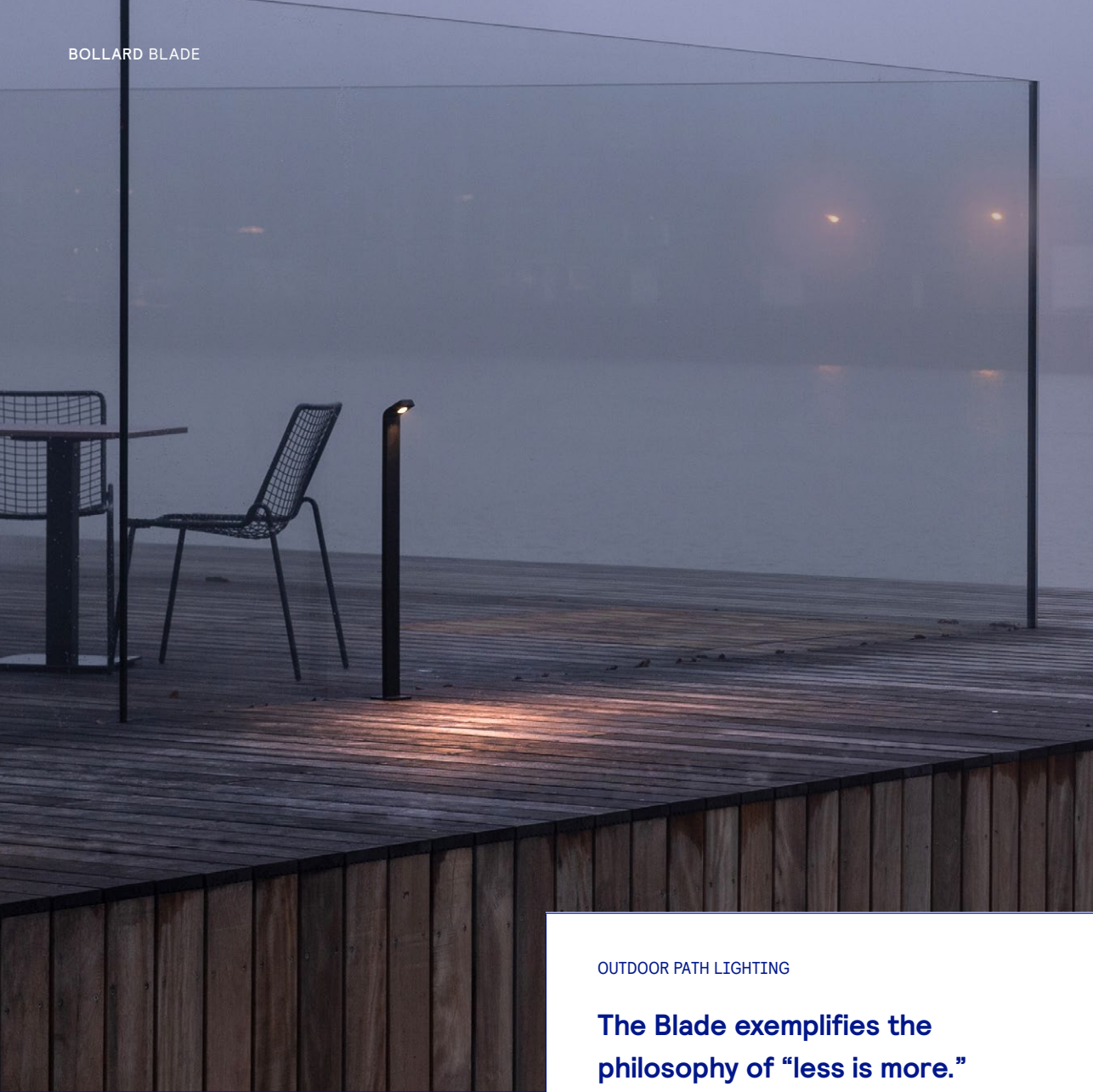
bent zzz

SPECIFICATIONS	BENT ZZZ
LIGHTSOURCE	CREE J SERIES 2835
COLOR TEMPERATURE	2700 K
LUMEN OUTPUT	420 LM
OPTIC	DIFFUSER
RATED VOLTAGE	24V DC
DIMMABLE	YES
POWER	3.6 W
IP CLASS	IP65
INSULATION CLASS	III
CABLE	1 M (NEOPRENE)



ARTICLE N0.	BLACK	CORTEN
	BENT ZZZ 24V	1714
GROUND SPIKE BENT / TOWER	9014	

BENT ZZZ



OUTDOOR PATH LIGHTING

The Blade exemplifies the philosophy of “less is more.” Its efficient and glare-free light effect sets it apart. Crafted with a durable stainless steel design and a textured powder coat finish, this fixture is built to last. Available in two colors, including corten.

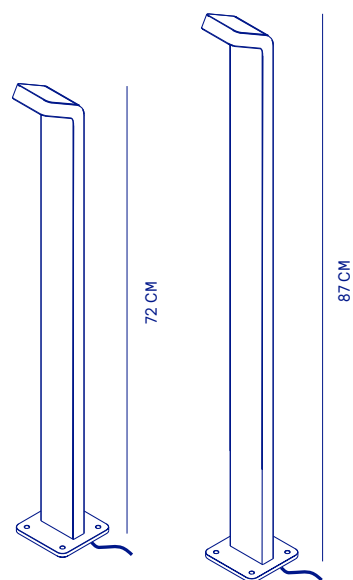
blade

75 / 90

SPECIFICATIONS

BLADE 75 / 90

LIGHTSOURCE	LUXEON 3014
COLOR TEMPERATURE	2700 K
LUMEN OUTPUT	350 LM
RATED VOLTAGE	24V DC
DIMMABLE	YES
POWER	5 W
IP CLASS	IP65
INSULATION CLASS	III
CABLE	1 M (NEOPRENE)



ARTICLE NO.

BLACK

CORTEN

BLADE 75 24V

1225

1226

BLADE 90 24V

1230

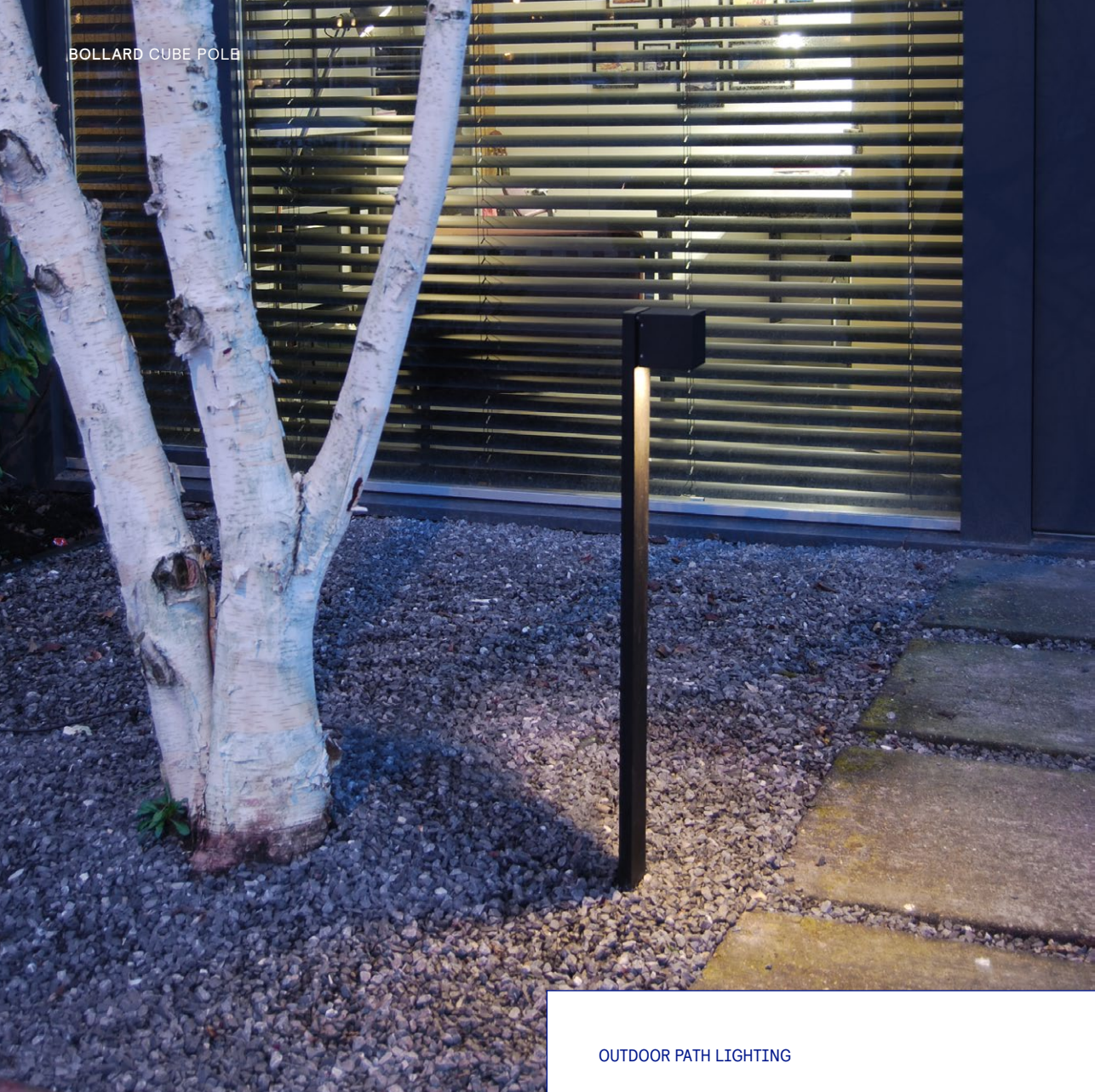
1231

GROUND SPIKE BLADE

9016

BLADE 75

BLADE 90



cube pole

90 / 180

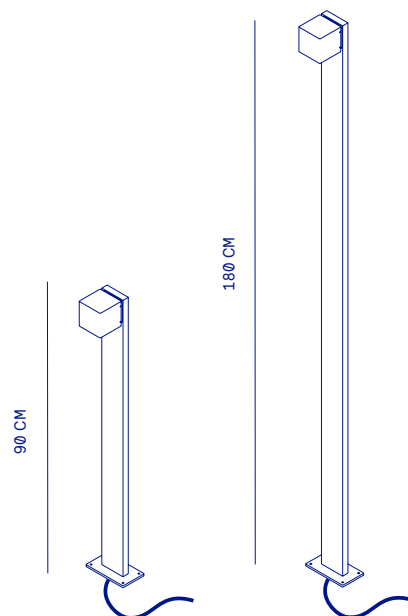
OUTDOOR PATH LIGHTING

Introducing our architectural path lighting solution, seamlessly complementing our Cube wall fixtures. With a choice of 2 different heights, this lighting option offers the perfect combination of style and functionality.

SPECIFICATIONS

CUBE POLE 90 / 180

LIGHTSOURCE	LUXEON M
COLOR TEMP.	2700 K
LUMEN OUTPUT	800 LM
OPTIC	FROSTED GLASS
RATED VOLTAGE	24V DC OR 230V AC
DIMMABLE	24V YES, 230V ON REQUEST
POWER	10 W
IP CLASS	IP54
INSULATION CLASS	24V: III / 230V: I
CABLE	1 M (NEOPRENE)

ARTICLE N^o.**BLACK****CUBE POLE 90**

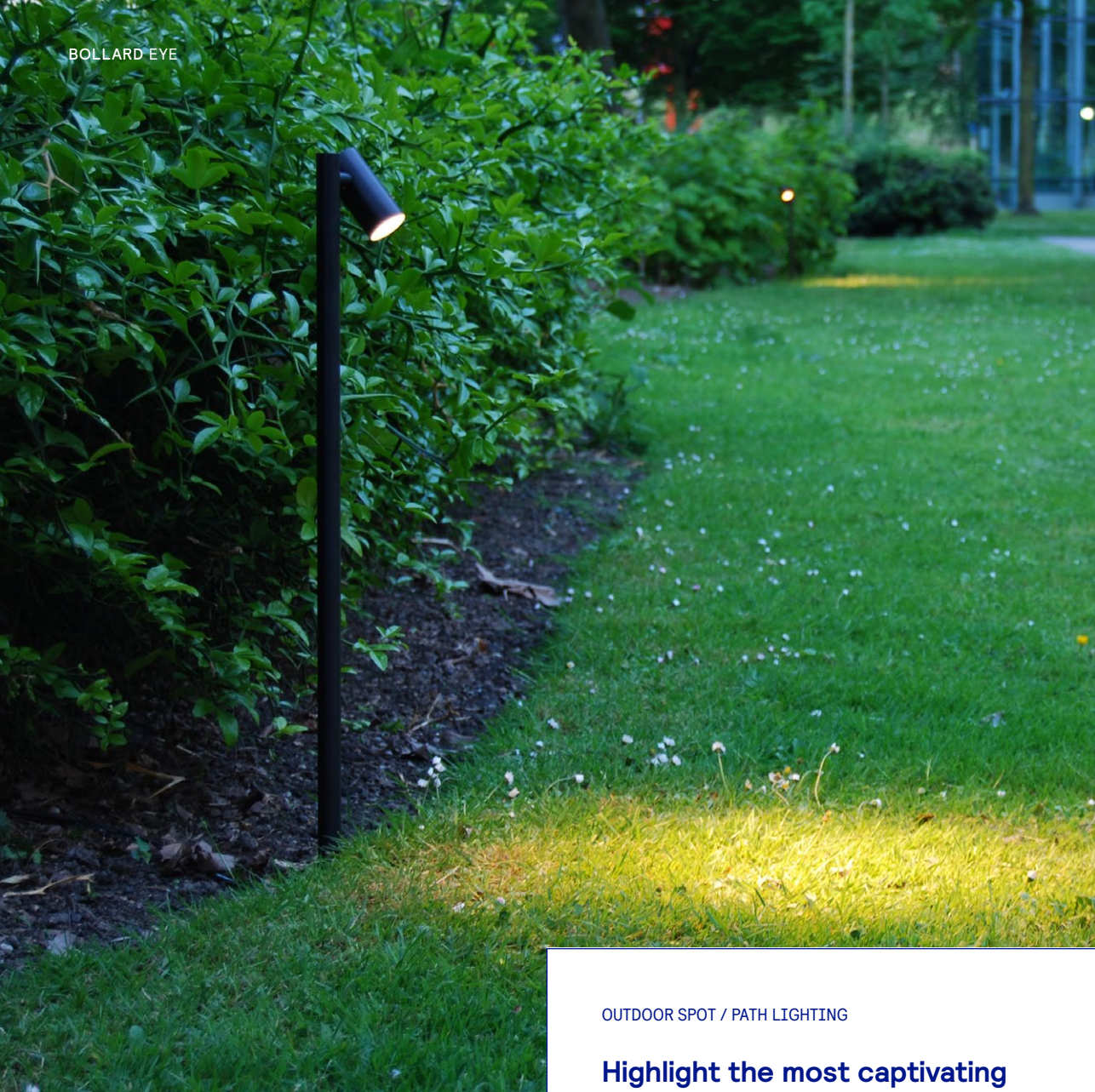
24V	2510
230V	2512

CUBE POLE 180

24V	2520
230V	2522

POLE 90

POLE 180



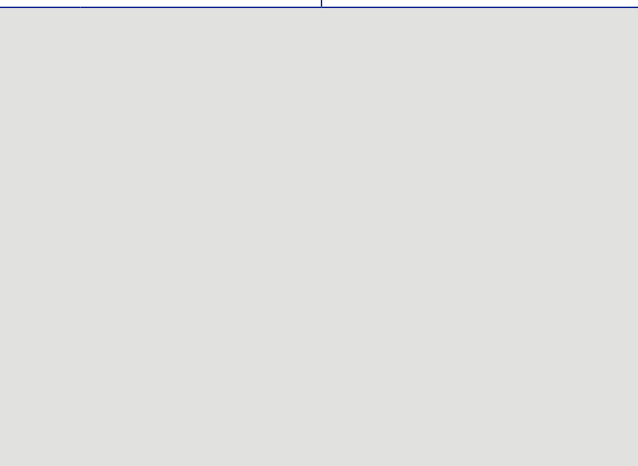
OUTDOOR SPOT / PATH LIGHTING

Highlight the most captivating aspects of your garden with precision. Concentrate on the elements that truly matter. Whether equipped with a single or double spotlight, this lamp is a versatile addition suitable for any garden setting.

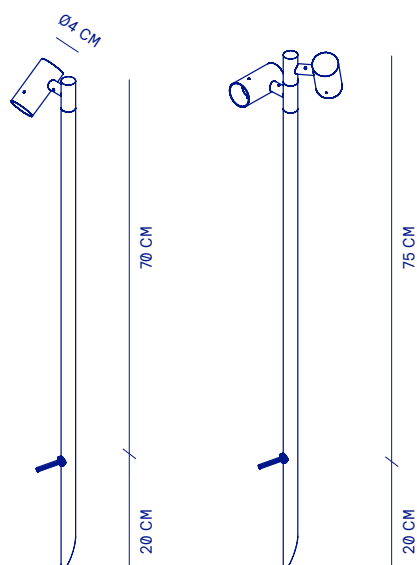
eye

eye / eye focus

SPECIFICATIONS	EYE / EYE FOCUS
LIGHTSOURCE	CREE J SERIES 2835
COLOR TEMPERATURE	2700 K
LUMEN OUTPUT	360 LM / 2 X 360 LM
OPTIC	25°
RATED VOLTAGE	24V DC
DIMMABLE	YES
POWER	2,7 W / 5,4 W
IP CLASS	IP65
INSULATION CLASS	III
CABLE	1 M (NEOPRENE)



ARTICLE NO.	BLACK
EYE 24V	1812
EYE FOCUS 24V	1822
GROUND SPIKE EYE	9017



EYE

EYE FOCUS

GROUND EYE SPOT



eye spot

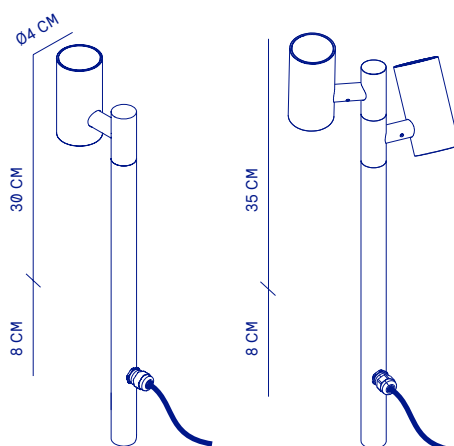
OUTDOOR SPOT

A compact yet potent fixture designed to illuminate your garden features prominently. An ideal companion for the Eye series, this fixture boasts a robust anodized surface treatment and a high level of IP65 protection.

SPECIFICATIONS

EYE SPOT / EYE SPOT FOCUS

LIGHTSOURCE	CREE J SERIES 2835
COLOR TEMPERATURE	2700 K
LUMEN OUTPUT	360 LM / 2 X 360 LM
OPTIC	25°
RATED VOLTAGE	24V DC
DIMMABLE	YES
POWER	2,7 W / 5,4 W
IP CLASS	IP65
INSULATION CLASS	III
CABLE	1 M (NEOPRENE)



ARTICLE N°.

BLACK**EYE SPOT 24V**

1832

EYE SPOT FOCUS 24V

1834

EYE SPOT

EYE SPOT FOCUS



ARCHITECTONIC PATH LIGHTING

An architonic path luminaire featuring a transparent structure and an invisible light source that creates a captivating V-shaped light beam. This innovative design provides a distinctive and visually appealing method to illuminate pathways and outdoor spaces.

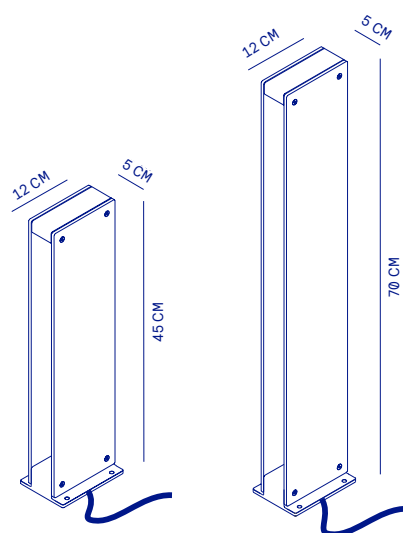
ray

45 / 70

SPECIFICATIONS

RAY 45 / 70

LIGHTSOURCE	LUXEON M
COLOR TEMP.	2700 K
LUMEN OUTPUT	700 LM
OPTIC	FORWARD OPTIC
RATED VOLTAGE	24V DC
DIMMABLE	YES
POWER	7.2 W
IP CLASS	IP65
INSULATION CLASS	III
CABLE	1 M (NEOPRENE)



ARTICLE N°.

BLACK

CORTEN

RAY 45 24V

1912

1911

RAY 70 24V

1917

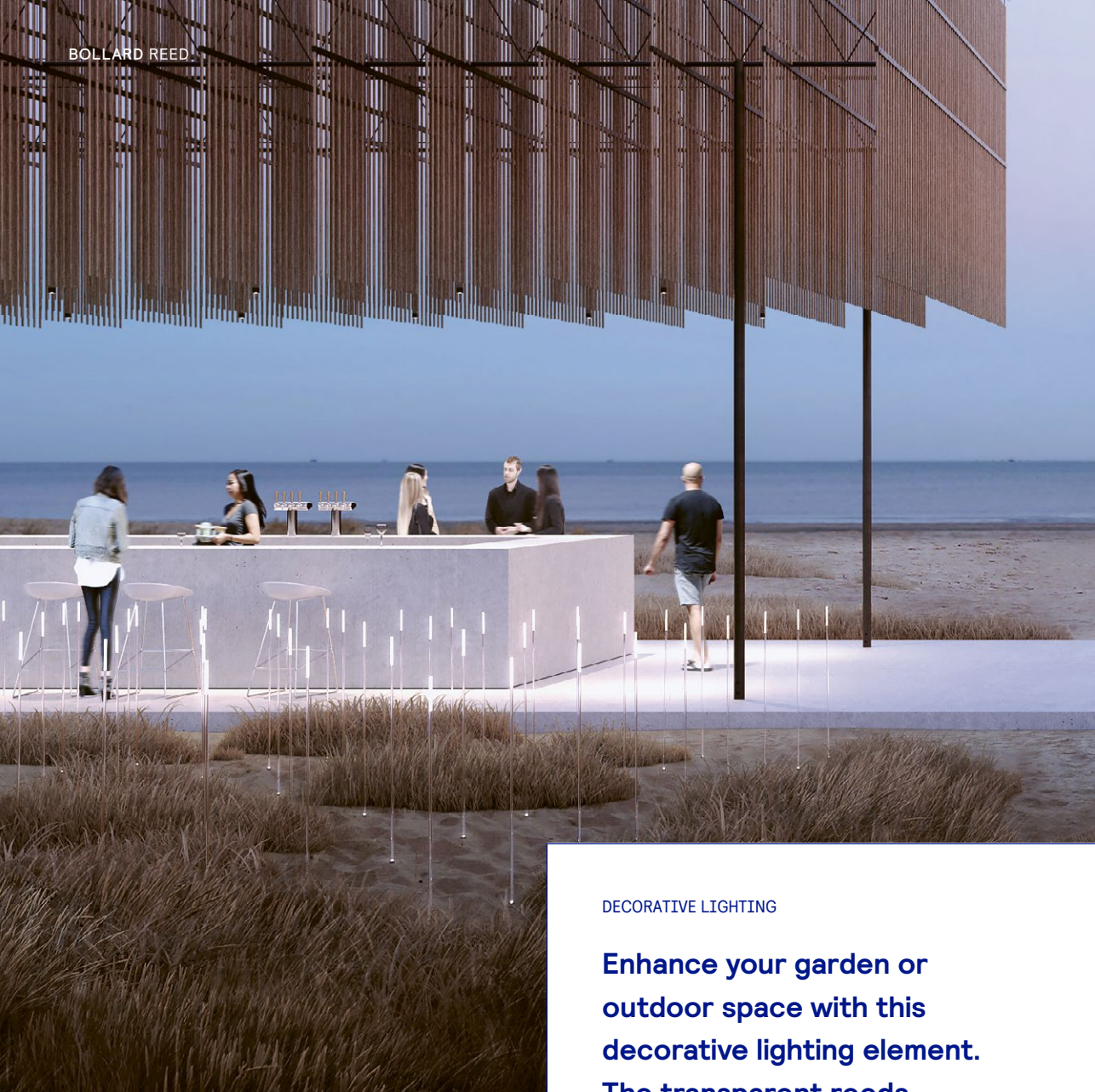
1916

GROUND SPIKE RAY

9018

RAY 45

RAY 70



DECORATIVE LIGHTING

Enhance your garden or outdoor space with this decorative lighting element. The transparent reeds gracefully sway with the breeze, creating a captivating visual effect. The light emanates from the top where the acrylic fiber has been meticulously hand-brushed, adding an enchanting touch to your surroundings.

reed

SPECIFICATIONS

REED / REED BUNDLE

LIGHTSOURCE	LUXEON 3030 HV
COLOR TEMP.	2700 K
LUMEN OUTPUT	85 LM / 3 X 85 LM
OPTIC	FIBER OPTIC
RATED VOLTAGE	24V DC
DIMMABLE	YES
POWER	0,7 W / 2,1 W
IP CLASS	IP65
INSULATION CLASS	III
CABLE	0.6 M (NEOPRENE)



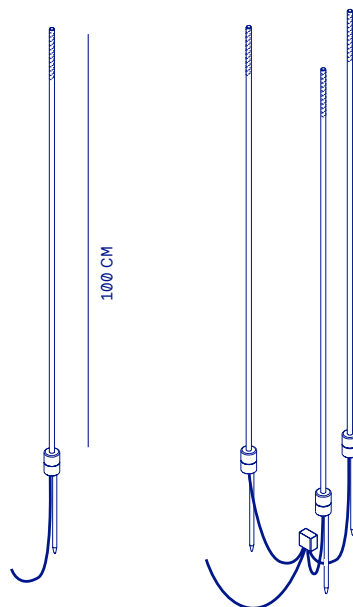
ARTICLE N0.

REED 24V

2110

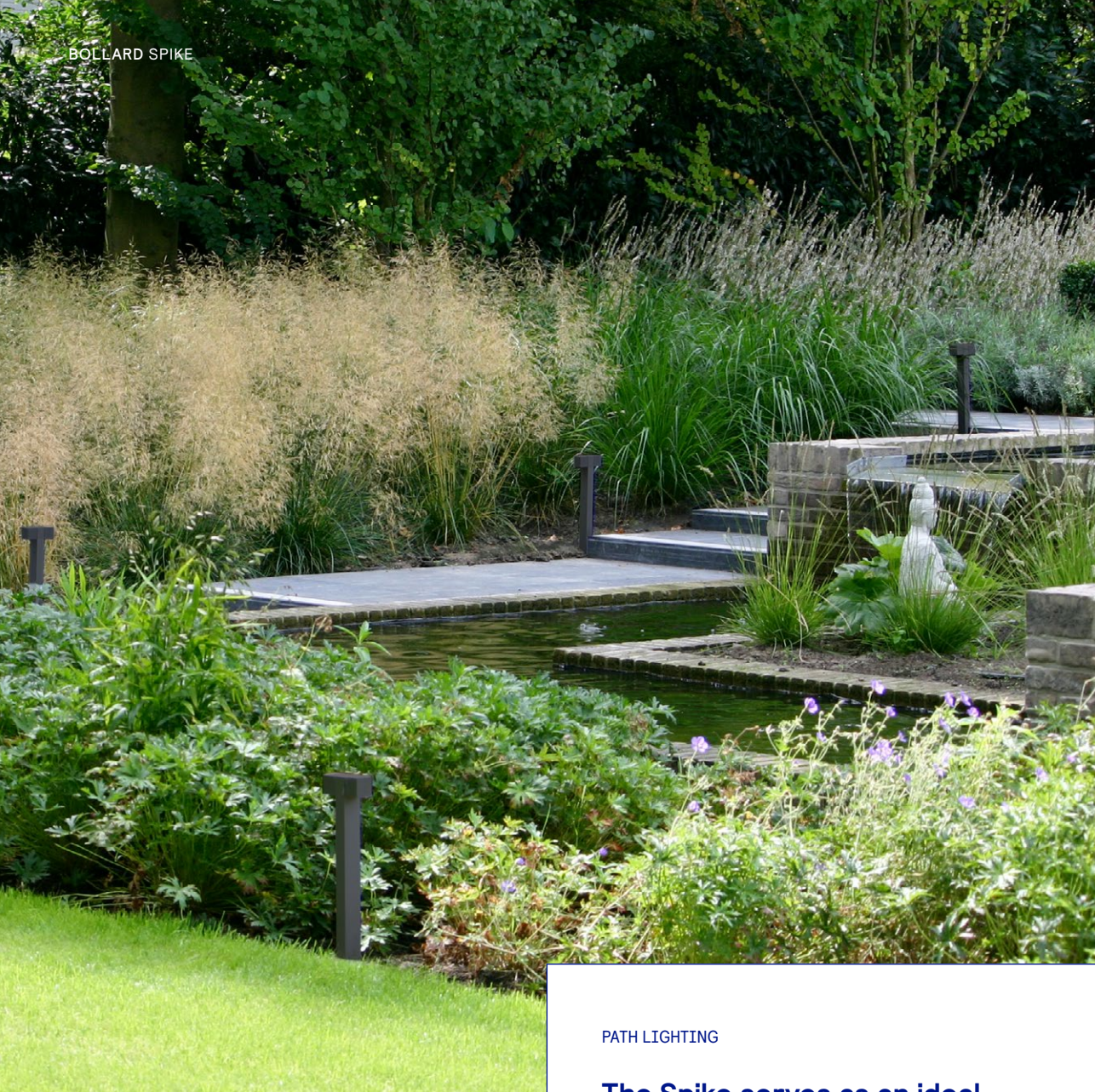
REED BUNDLE 24V

2113



REED

REED BUNDLE



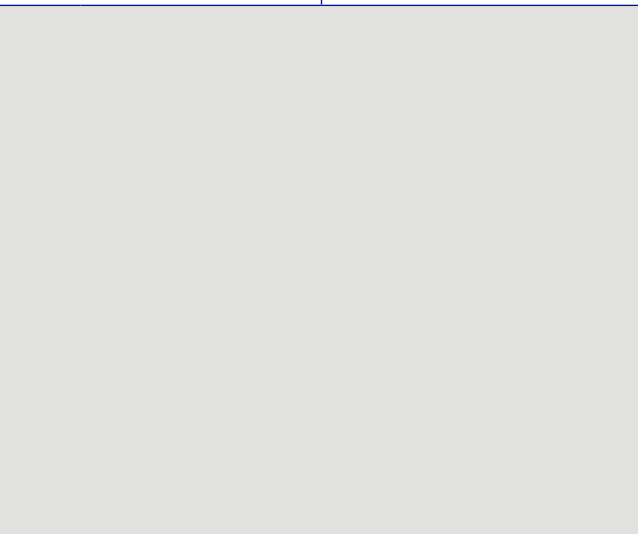
spike

mono / duo

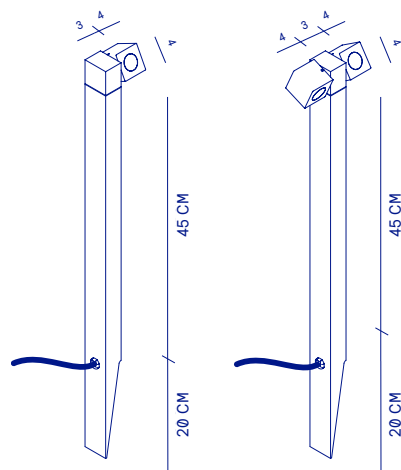
PATH LIGHTING

The Spike serves as an ideal pathway lighting solution, available with one or two adjustable LED modules. This flexibility allows the fixture to meet the needs of both spot and path lighting, making it a great addition for enhancing the ambiance of your garden.

SPECIFICATIONS	SPIKE MONO / DUO
LIGHTSOURCE	LUXEON REBEL
COLOR TEMP.	2700 K
LUMEN OUTPUT	160 LM / 2 X 160 LM
OPTIC	25°
RATED VOLTAGE	24V DC
DIMMABLE	YES
POWER	3 W / 6 W
IP CLASS	IP65
INSULATION CLASS	III
CABLE	1 M (NEOPRENE)



ARTICLE NØ.	BLACK
SPIKE MONO 24V	1052
SPIKE DUO 24V	1072



SPIKE MONO

SPIKE DUO



DESIGN GARDEN LUMINAIRE

A brushed stainless steel bollard that produces subtle indirect light. It incorporates a stainless steel reflector on top of the fixture.

Available in two versions:

- B reflects the light around**
- C reflects the light around and upwards**

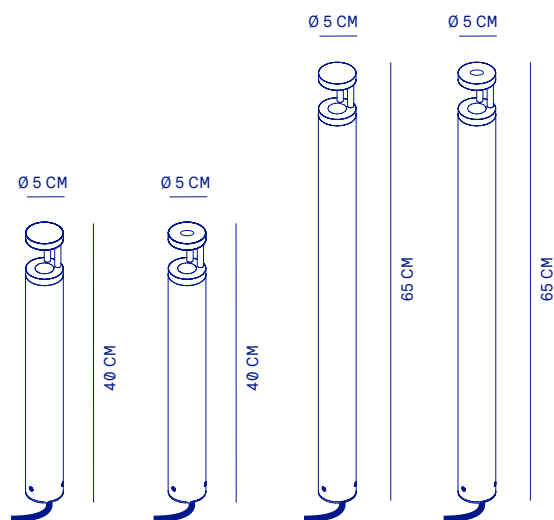
torch

40 / 65

SPECIFICATIONS		TORCH 40 / 65	
LIGHTSOURCE	LUXEON REBEL		
COLOR TEMP.	2700 K		
LUMEN OUTPUT	160 LM		
RATED VOLTAGE	24V DC OR 230V AC		
DIMMABLE	NO		
POWER	3 W		
IP CLASS	IP65		
INSULATION CLASS	III (24V), I (230V)		
CABLE	1 M (NEOPRENE)		

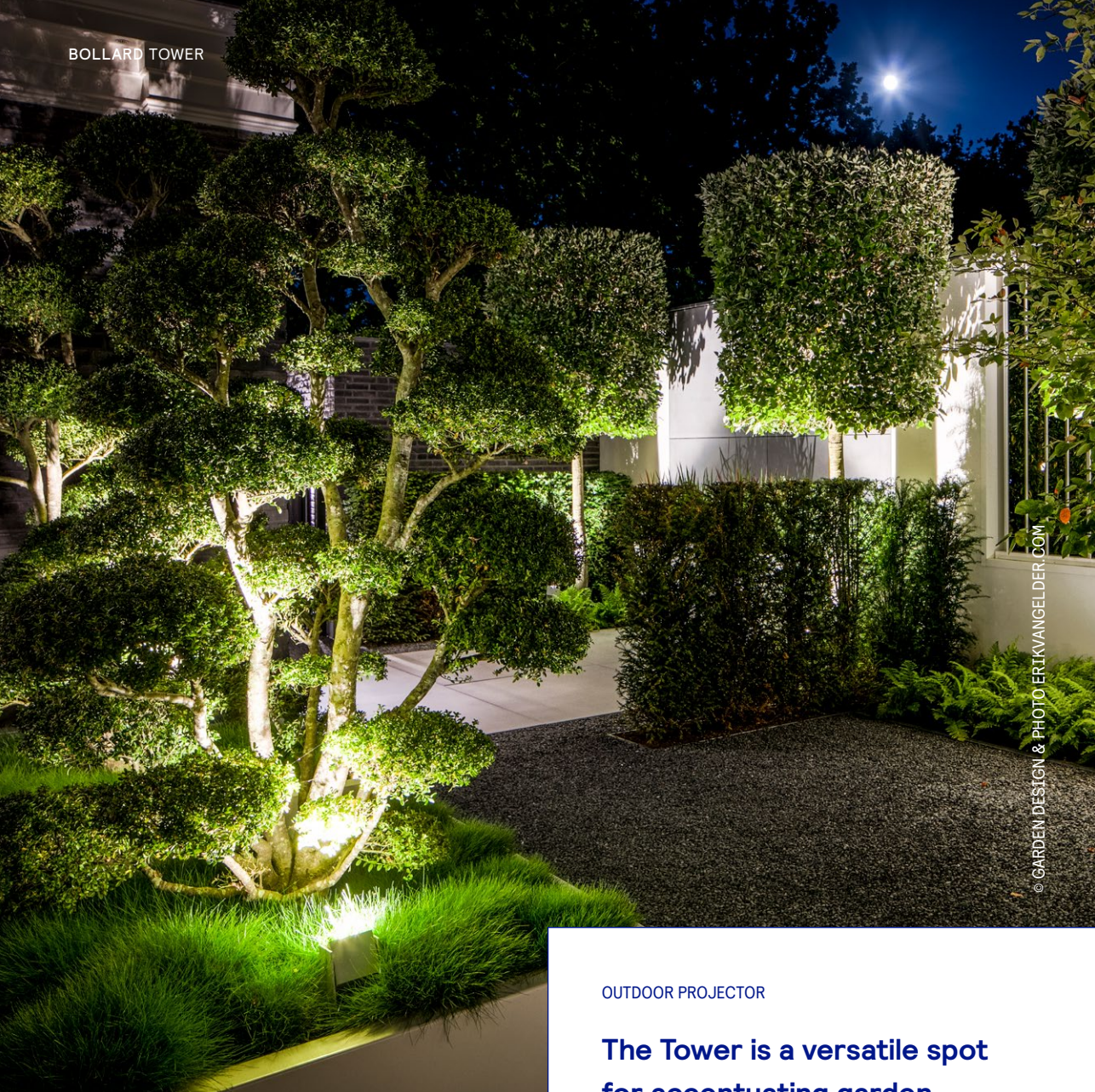


ARTICLE N ^o .		B	C
TORCH 40	24V	0810	0830
	230V	0811	0831
TORCH 65	24V	0820	0840
	230V	0821	0841
GROUND SPIKE TORCH		9010	



TORCH 40 B TORCH 40 C

TORCH 65 B TORCH 65 C



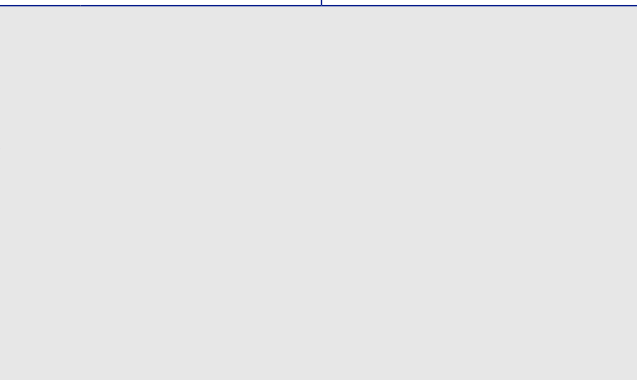
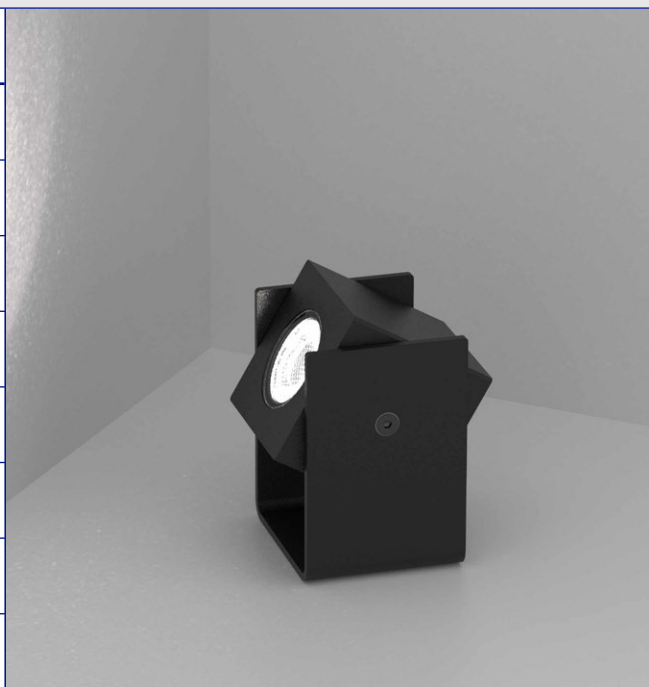
© GARDEN DESIGN & PHOTO ERIK VANGELDER.COM

tower

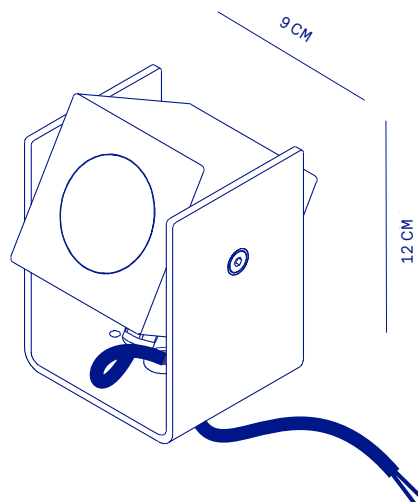
OUTDOOR PROJECTOR

The Tower is a versatile spot for accentuating garden elements, trees and plants. The tower is available with three different beam angles and three colours, black powder coated or natural anodized. For an optimal installation this projector is available in 24V and 230V.

SPECIFICATIONS	TOWER
LIGHTSOURCE	LUXEON M
COLOR TEMP.	2700 K
LUMEN OUTPUT	800 LM
OPTICS	8° / 27° / 40°
RATED VOLTAGE	24V DC OR 230V AC
DIMMABLE	24V YES, 230V ON REQUEST
POWER	10 W
IP CLASS	IP65
INSULATION CLASS	III (24V), I (230V)
CABLE	1 M (NEOPRENE)



ARTICLE NO.	BLACK		CORTEN	
TOWER 8°	24V	1470	1471	
	230V	1456	1450	
TOWER 27°	24V	1473	1474	
	230V	1457	1451	
TOWER 40°	24V	1476	1477	
	230V	1458	1452	
GROUND SPIKE TOWER		9014		





vector pole

200 / 250

A STEPLESS ADJUSTABLE LUMINAIRE

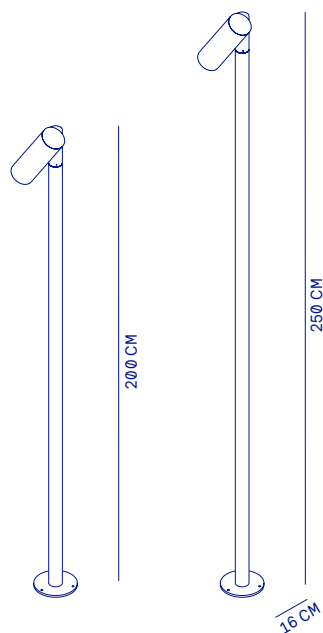
The luminaire's characteristics are defined by its magnitude and direction. It features a potent light source and a continuously adjustable lamp, making it suitable for hospitality and architectural lighting applications such as sauna complexes or hotels. It is offered in two different heights to accommodate your preferences and needs.

DESIGN: MICHIEL CORNELISSEN

SPECIFICATIONS

VECTOR POLE

LIGHTSOURCE	LUXEON COB
COLOR TEMP.	2700 K
LUMEN OUTPUT	1400 LM
OPTIC	25° FROSTED
RATED VOLTAGE	230V 50-60HZ
DIMMABLE	TRIAC
POWER	12 W
IP CLASS	IP65
INSULATION CLASS	I
CABLE	1 M (NEOPRENE)



ARTICLE NØ.

BLACK

VECTOR POLE 200

2610

VECTOR POLE 250

2612

GROUND SPIKE VECTOR POLE

9015

VECTOR POLE

WALL BENT WALL LEFT / RIGHT



bent wall

left / right

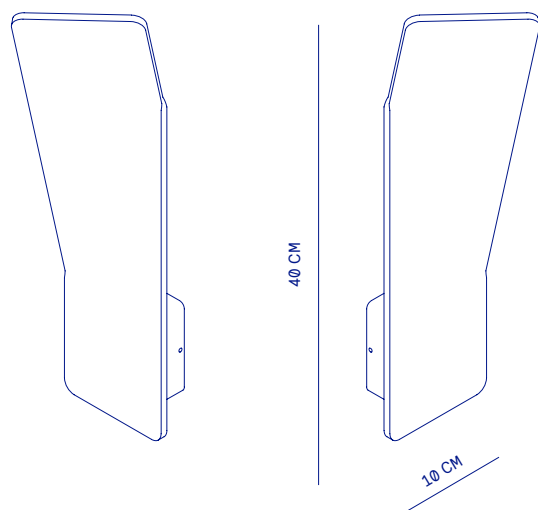
DESIGN WALL LAMP

Simple and elegant design for striking lighting effects on walls. With 2 versions left and right, a symmetrical arrangement is possible with this design. Available in different colors for many applications outdoors or indoors.

SPECIFICATIONS

BENT WALL L / R

LIGHTSOURCE	LUXEON REBEL
COLOR TEMP.	2700 K
LUMEN OUTPUT	265 LM
OPTIC	DIFFUSER
RATED VOLTAGE	230V 50-60HZ
DIMMABLE	OPTIONAL
POWER	4 W
IP CLASS	IP54
INSULATION CLASS	I



ARTICLE NØ.

BLACK

CORTEN

WHITE

BENT WALL LEFT

1782

1781

1780

BENT WALL RIGHT

1772

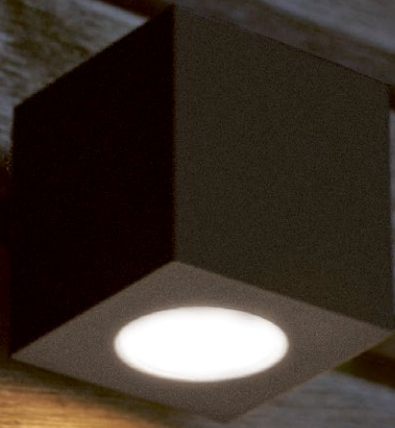
1771

1770

BENT WALL LEFT

BENT WALL RIGHT

WALL BRICK

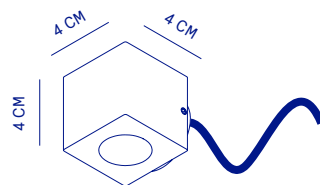


brick

OUTDOOR WALL FIXTURE

The Brick is a sleek and compact lighting fixture designed to provide both style and functionality. Its minimalist design makes it a versatile addition to any element in your garden.

SPECIFICATIONS	BRICK
LIGHTSOURCE	CREE J SERIES 2835
COLOR TEMP.	2700 K
LUMEN OUTPUT	130 LM
OPTIC	DIFFUSER
RATED VOLTAGE	24V DC
DIMMABLE	YES
POWER	1 W
IP CLASS	IP65
INSULATION CLASS	III
CABLE	2 M (NEOPRENE)



ARTICLE NØ.	BLACK	CORTEN	WHITE
BRICK 24V	1080	1082	1084

WALL CUBE



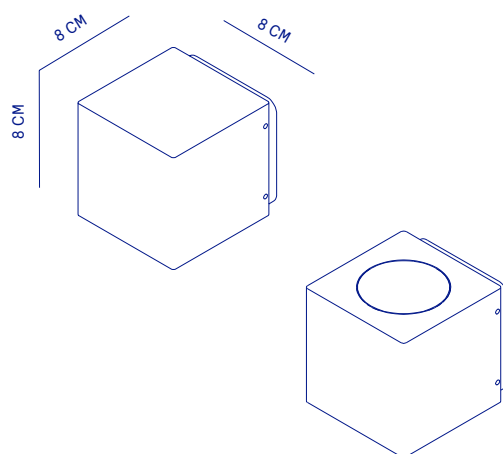
OUTDOOR WALL FIXTURE

The Cube is designed for placement on houses or garden elements. It comes equipped with a reflector that offers an oval light distribution. With its robust aluminum casing, it is available in three matte-textured polyester powder coatings: white, black, and corten. The Cube series is conveniently available in both 24V and 230V options.

cube

mono / duo

SPECIFICATIONS	CUBE / CUBE DUO
LIGHTSOURCE	LUXEON M
COLOR TEMP.	2700 K
LUMEN OUTPUT	800 LM / 2 X 400 LM
OPTIC	REFLECTOR 40°
RATED VOLTAGE	24V DC or 230V AC
DIMMABLE	24V yes, 230V on request
POWER	10 W / 10 W
IP CLASS	IP54
INSULATION CLASS	III (24V), I (230V)



ARTICLE NO.	BLACK			CORTEN			WHITE		
CUBE	24V	2901	2902	2904					
	230V	1371	1374	1373					
CUBE DUO	24V	2905	2906	2908					
	230V	1376	1379	1378					

CUBE

CUBE DUO

WALL CUBE FROSTED



OUTDOOR WALL FIXTURE

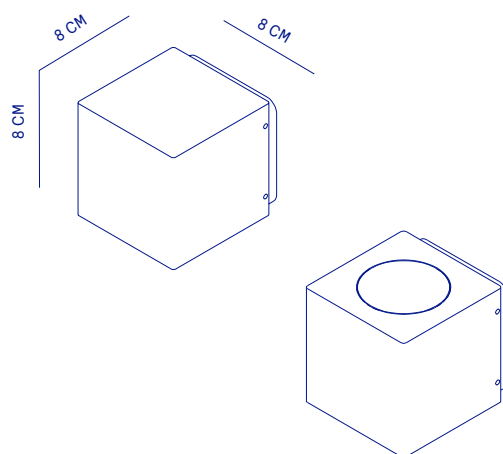
The Cube frosted is designed for placement on houses or garden elements. The frosted glass produces an even light image. With its robust aluminum casing, it is available in three matte-textured polyester powder coatings: white, black, and corten. The Cube series is conveniently available in both 24V and 230V options.

cube frosted

mono / duo

SPECIFICATIONS **CUBE FROSTED / DUO**

LIGHTSOURCE	LUXEON M
COLOR TEMP.	2700 K
LUMEN OUTPUT	800 LM / 2 X 400 LM
OPTIC	FROSTED GLASS
RATED VOLTAGE	24V DC OR 230V AC
DIMMABLE	24V YES, 230V ON REQUEST
POWER	10 W
IP CLASS	IP54
INSULATION CLASS	III (24V), I (230V)



ARTICLE N°.

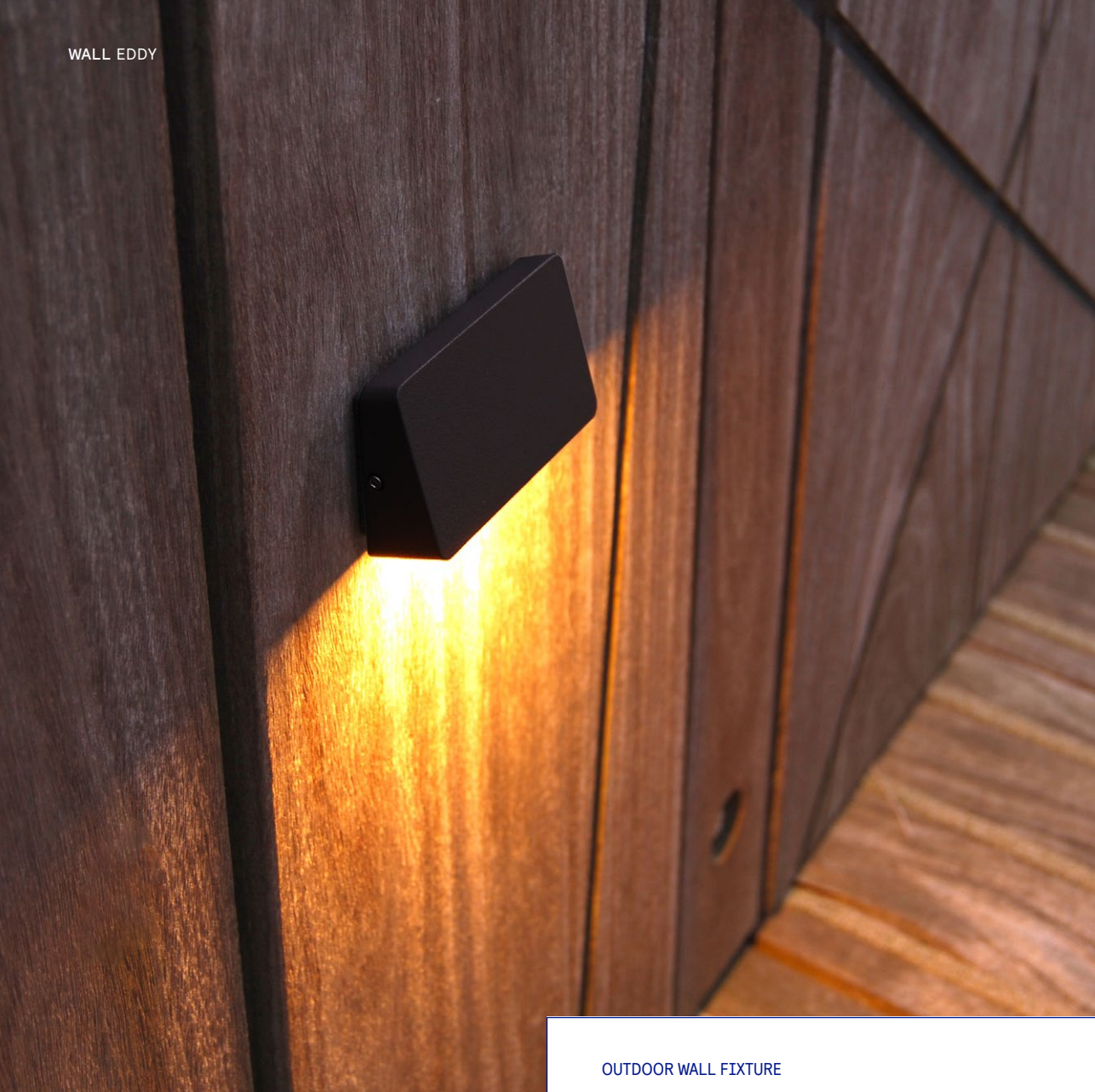
BLACK CORTEN WHITE

		BLACK	CORTEN	WHITE
CUBE FROSTED	24V	2911	2912	2914
	230V	1321	1334	1327
CUBE FROSTED DUO	24V	2915	2916	2918
	230V	1322	1335	1328

CUBE FROSTED

CUBE FROSTED DUO

WALL EDDY



OUTDOOR WALL FIXTURE

**Enhance your outdoor
ambiance with subtle wall
lighting that creates gentle
light accents. Eddy is a perfect
solution for elegantly marking
stairs, steps, and pathways.
Available in two colors, with an
optional mount plate.**

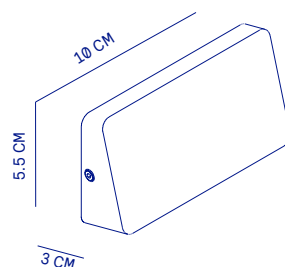
eddy

24V

SPECIFICATIONS

EDDY 24V

LIGHTSOURCE	LUXEON 3014
COLOR TEMP.	2700 K
LUMEN OUTPUT	300 LM
OPTIC	DIFFUSER
RATED VOLTAGE	24V DC
DIMMABLE	YES
POWER	3 W
IP CLASS	IP65
INSULATION CLASS	III



ARTICLE N°.

BLACK

CORTEN

EDDY 24 V

2014

2013

MOUNT PLATE EDDY

9032

9033

EDDY 24V

WALL LIV LINEAR



OUTDOOR WALL FIXTURE

The Liv Linear is a lighting fixture created through a collaboration between Dexter and Eternit (Schweiz) AG. Its design features a shell made from fiber cement, making it both durable and stylish. This fixture is ideal for accentuating architectural facades or providing illumination for pathways and borders, combining aesthetic appeal with functionality.

DESIGN: STUDIO RAINER MUTSCH

**liv
linear**

SPECIFICATIONS

LIV LINEAR

LIGHTSOURCE

LUXEON 3014

COLOR TEMP.

2700 K

LUMEN OUTPUT

900 LM

RATED VOLTAGE

230V 50-60HZ

DIMMABLE

ON REQUEST

POWER

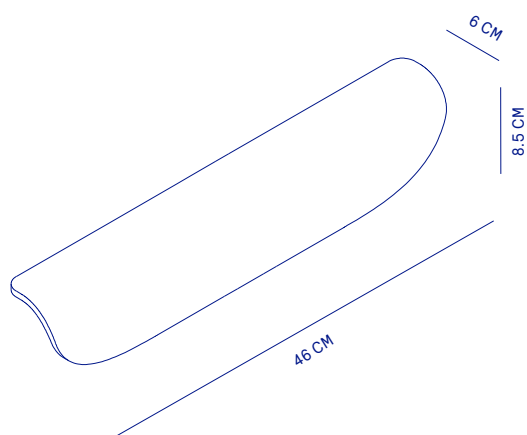
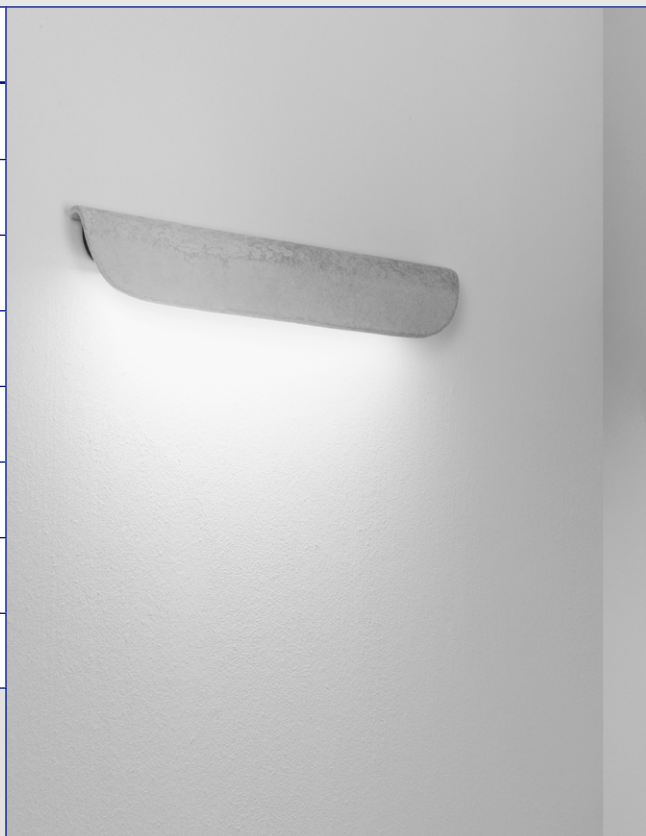
11 W

IP CLASS

IP54

INSULATION CLASS

I



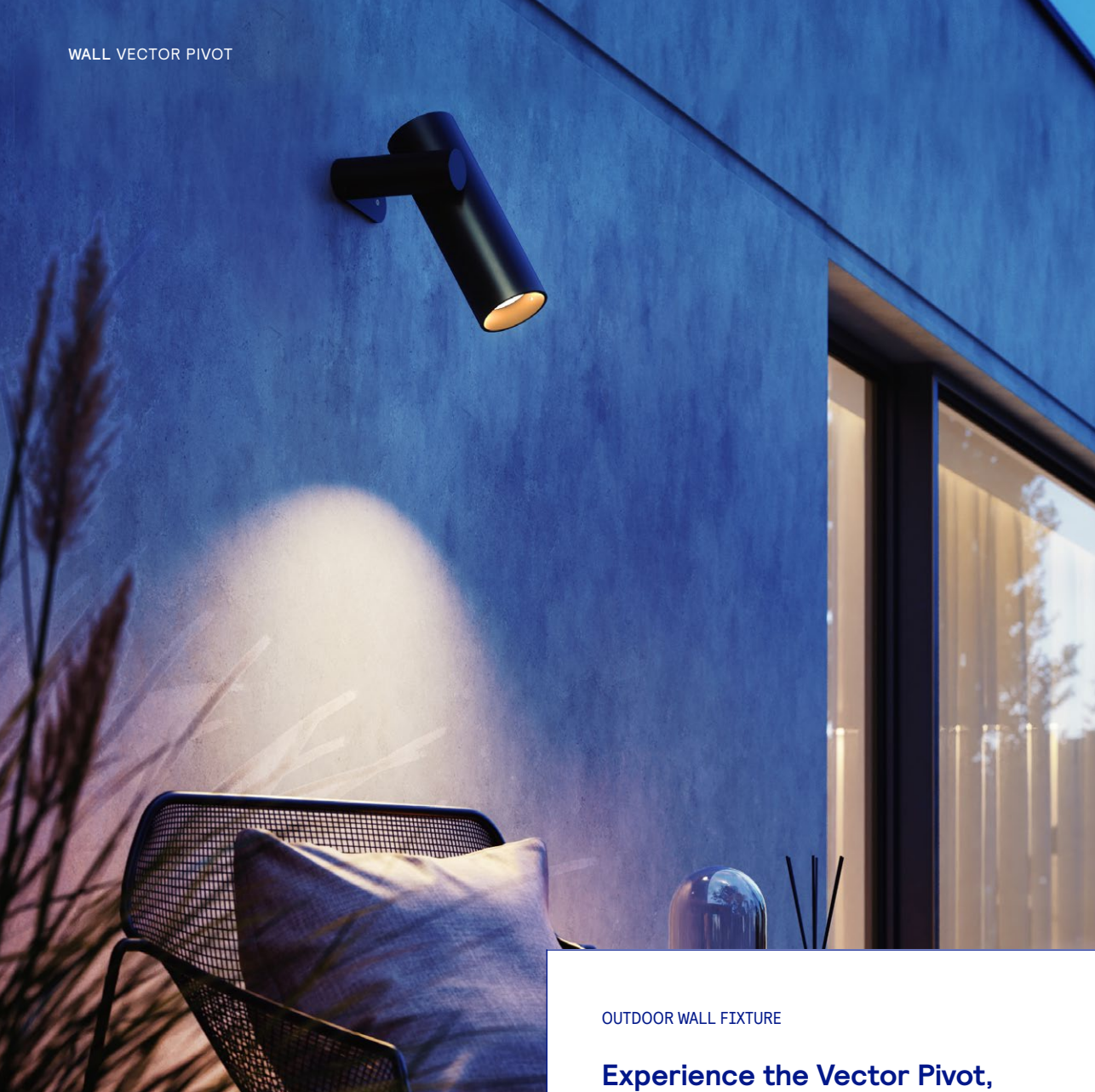
ARTICLE N0.

LIV LINEAR

2320

LIV LINEAR

WALL VECTOR PIVOT



vector pivot

OUTDOOR WALL FIXTURE

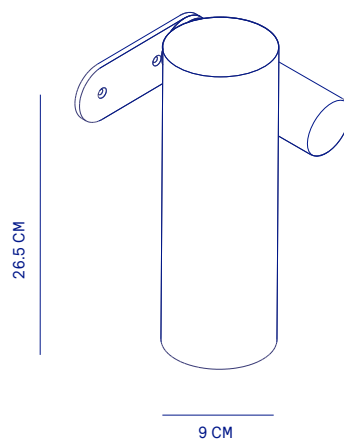
Experience the Vector Pivot, combining a powerful light source with a stepless adjustable lamp for ultimate versatility. Its minimalist design ensures seamless integration into any space, offering both elegance and functionality.

DESIGN: MICHIEL CORNELISSEN

SPECIFICATIONS

VECTOR PIVOT

LIGHTSOURCE	LUXEON COB
COLOR TEMP.	2700 K
LUMEN OUTPUT	1400 LM
OPTIC	25° FROSTED
RATED VOLTAGE	230V AC
DIMMABLE	TRIAC
POWER	12 W
IP CLASS	IP54
INSULATION CLASS	I



ARTICLE N°.

BLACK

VECTOR PIVOT 230V

2412

VECTOR PIVOT

WALL VECTOR WALL



vector wall

OUTDOOR WALL FIXTURE

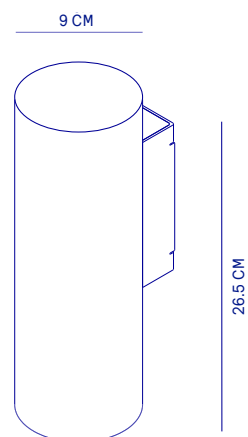
**Magnitude and direction.
A powerful light source and
stepless adjustable lamp
define the Vector luminaire.
Minimalist design, perfect
to use.**

DESIGN: MICHIEL CORNELISSEN

SPECIFICATIONS

VECTOR WALL

LIGHTSOURCE	LUXEON COB
COLOR TEMP.	2700 K
LUMEN OUTPUT	1400 LM
OPTIC	25° FROSTED
RATED VOLTAGE	230V AC
DIMMABLE	TRIAC
POWER	12 W
IP CLASS	IP54
INSULATION CLASS	I



ARTICLE NØ.

BLACK

VECTOR WALL 230V

2413

VECTOR WALL

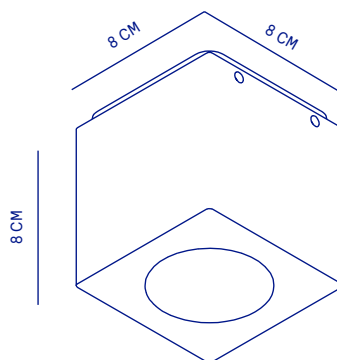


cube ceiling

OUTDOOR CEILING FIXTURE

The Cube ceiling light boasts a robust aluminum housing. This fixture is available in a black, corten and white color with a polyester powder-coated finish, providing a stylish matte texture.

SPECIFICATIONS	CUBE CEILING
LIGHTSOURCE	LUXEON REBEL
COLOR TEMP.	2700 K
LUMEN OUTPUT	800 LM
OPTIC	25°
RATED VOLTAGE	230V AC
DIMMABLE	ON REQUEST
POWER	10 W
IP CLASS	IP54
INSULATION CLASS	I



ARTICLE N°.	BLACK	CORTEN	WHITE
CUBE CEILING 230V	1323	1319	1329

CEILING VECTOR CEILING



vector ceiling

OUTDOOR CEILING FIXTURE

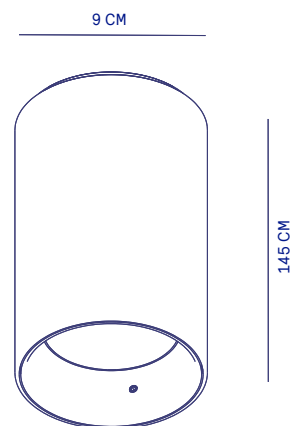
The Vector luminaire features a powerful light source. Its minimalist design ensures it is both elegant and easy to use, making it a perfect choice for any space.

DESIGN: MICHIEL CORNELISSEN

SPECIFICATIONS

VECTOR CEILING

LIGHTSOURCE	LUXEON COB
COLOR TEMP.	2700 K
LUMEN OUTPUT	1000 LM
OPTIC	25° FROSTED
RATED VOLTAGE	230V AC
DIMMABLE	TRIAC
POWER	9 W
IP CLASS	IP54
INSULATION CLASS	I



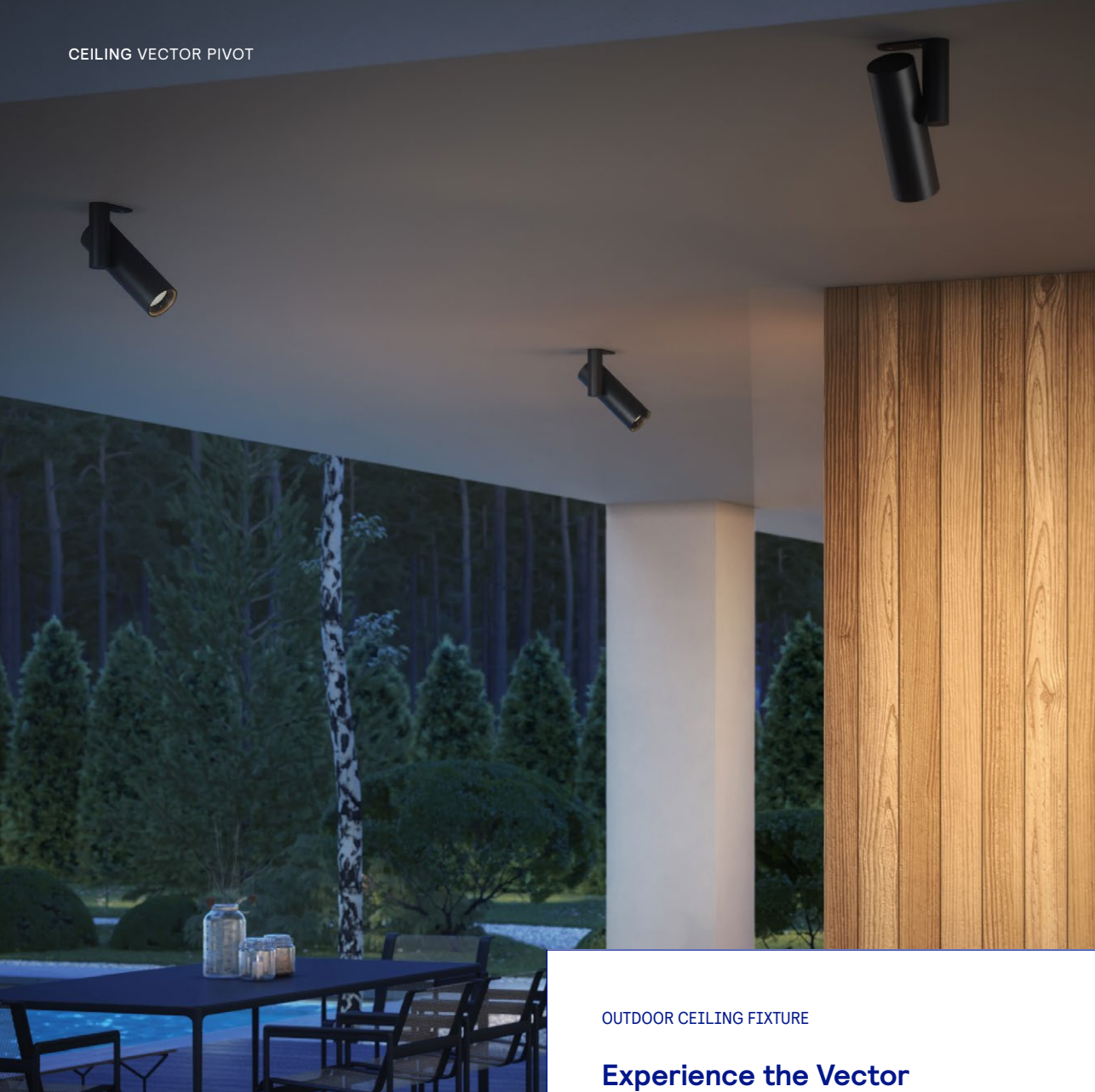
ARTICLE NØ.

BLACK

VECTOR CEILING 230V

2462

VECTOR PIVOT



OUTDOOR CEILING FIXTURE

Experience the Vector pivot, combining a powerful light source with a stepless adjustable lamp for ultimate versatility. Its minimalist design ensures seamless integration into any space, offering both elegance and functionality.

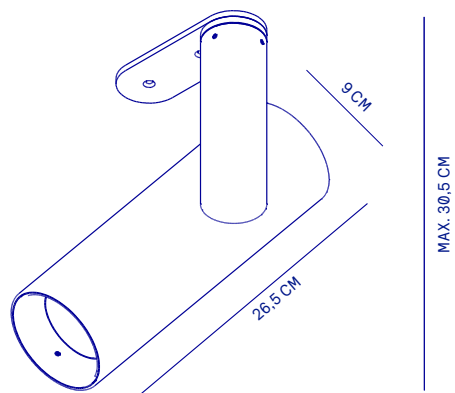
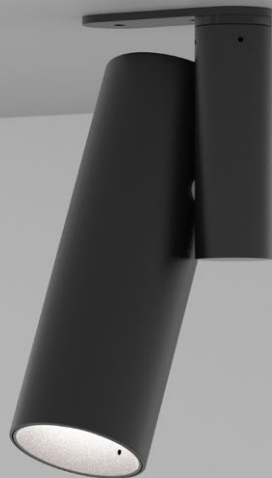
DESIGN: MICHIEL CORNELISSEN

**vector
pivot**

SPECIFICATIONS

VECTOR PIVOT

LIGHTSOURCE	LUXEON COB
COLOR TEMP.	2700 K
LUMEN OUTPUT	1400 LM
OPTIC	25° FROSTED
RATED VOLTAGE	230V AC
DIMMABLE	TRIAC
POWER	12 W
IP CLASS	IP54
INSULATION CLASS	I



ARTICLE N°.

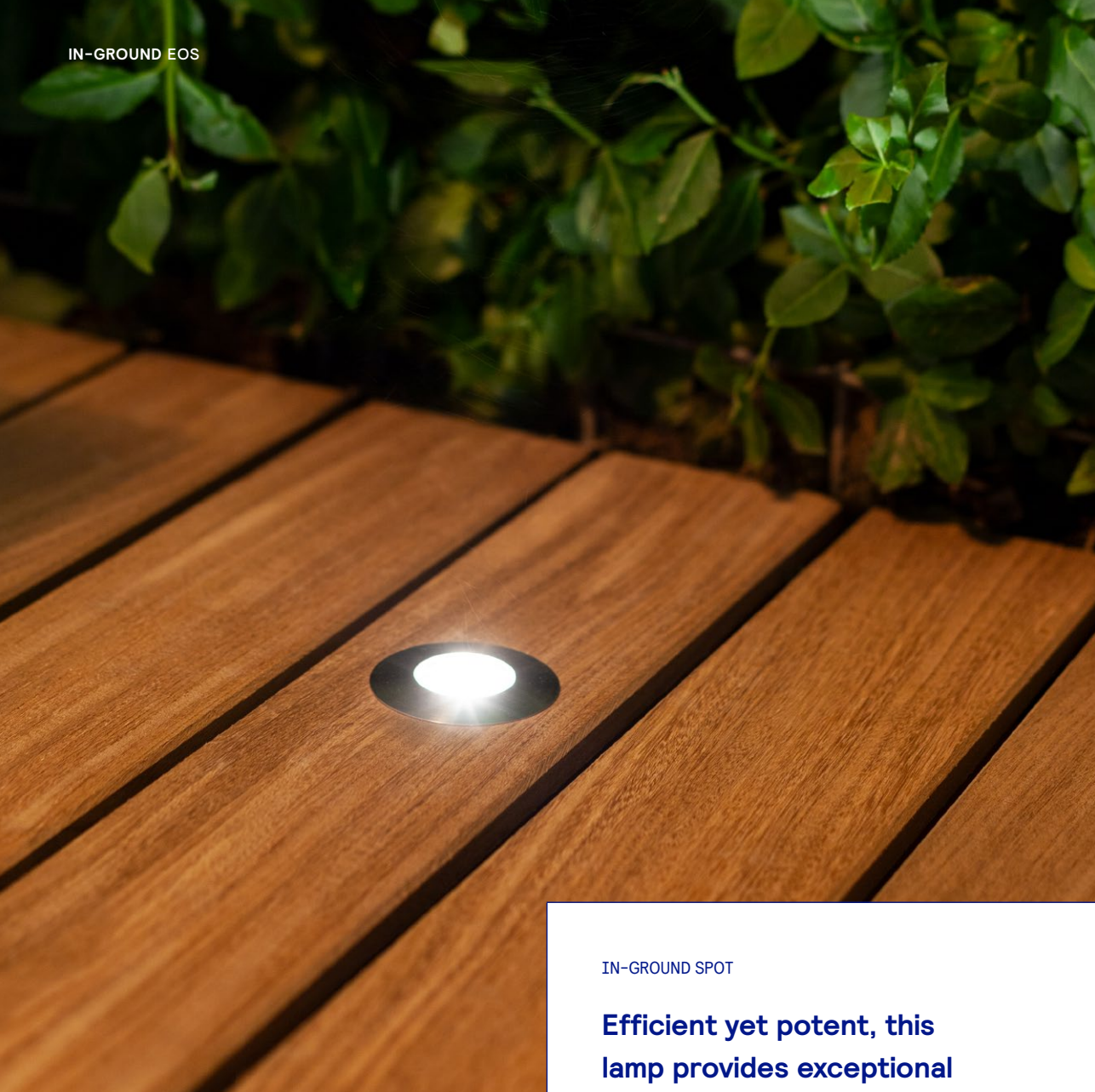
BLACK

VECTOR PIVOT 230V

2412

VECTOR PIVOT

IN-GROUND EOS



eos

asymmetric

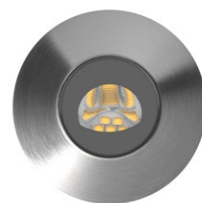
frosted

spot

IN-GROUND SPOT

Efficient yet potent, this lamp provides exceptional performance. With its diverse options (asymmetric, frosted and spot), it caters to a variety of lighting needs and applications. The brushed stainless steel construction ensures a robust and enduring lighting solution.

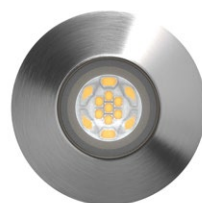
SPECIFICATIONS	EOS
LIGHTSOURCE	CREE 2835
COLOR TEMP.	2700 K
LUMEN OUTPUT	125 LM / 65 LM / 125 LM
OPTIC ASYMMETRIC	25°
OPTIC FROSTED	FROSTED GLASS
OPTIC SPOT	25°
RATED VOLTAGE	24V DC
DIMMABLE	YES
POWER	1,0 W / 0,5 W / 1,0 W
IP CLASS	IP67
INSULATION	CLASS III
CABLE	40 CM



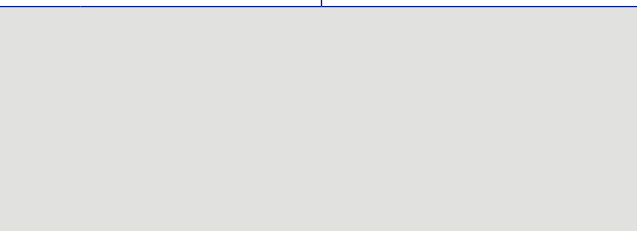
EOS ASYMMETRIC 24V



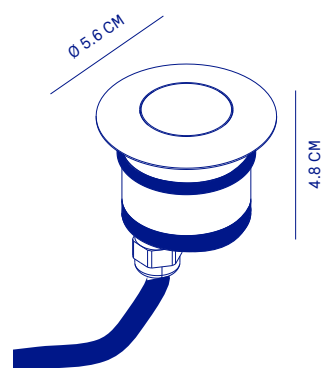
EOS FROSTED 24V



EOS SPOT 24V



ARTICLE N°.	
EOS ASYMMETRIC 24V	3120
EOS FROSTED 24V	3130
EOS SPOT 24V	3110
GROUND TUBE EOS	9026



IN-GROUND SELENE



selene

asymmetric

narrow

wide

IN-GROUND SPOT

The key features of Selene are robustness, durability, and comfort. These features ensure that Selene is a reliable and long-lasting lighting solution while providing a comfortable experience for users. Additionally, the product offers different versions (asymmetric, narrow and wide) to cater to various lighting needs and applications.

SPECIFICATIONS	SELENE
LIGHTSOURCE	LUXEON M
COLOR TEMP.	2700 K
LUMEN	400 LM
OPTIC ASYMMETRIC	76x38°
OPTIC NARROW	24°
OPTIC WIDE	76°
RATED VOLTAGE	24V DC
DIMMABLE	YES
POWER	3,8 W
IP CLASS	IP68
IK CLASS	IK07
INSULATION CLASS	III
CABLE	0,4 M (NEOPRENE)



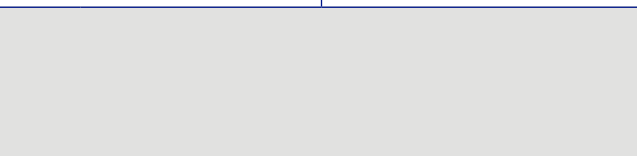
SELENE ASYMMETRIC 24V



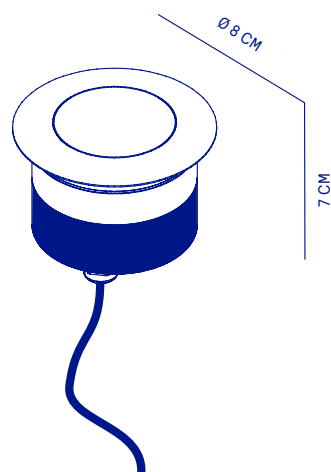
SELENE NARROW 24V



SELENE WIDE 24V



ARTICLE N0.	
SELENE ASYMMETRIC 24V	3014
SELENE NARROW 24V	3012
SELENE WIDE 24V	3010
GROUND TUBE SELENE	9025



SELENE

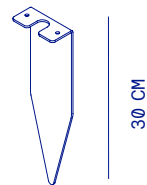
MOUNTS

GROUND SPIKE BENT / TOWER

To be used for: → pg 46 BENT
→ pg 64 TOWER

GROUND SPIKE BENT / TOWER

9014

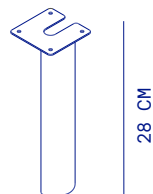


GROUND SPIKE BLADE

To be used for: → pg 48 BLADE

GROUND SPIKE BLADE

9016

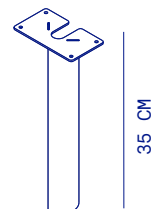


GROUND SPIKE CUBE POLE

To be used for: → pg xx xx

GROUND SPIKE BLADE

9016

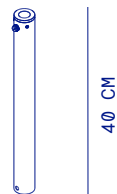


GROUND SPIKE EYE

To be used for: → pg 52 EYE

GROUND SPIKE EYE / EYE FOCUS

9017

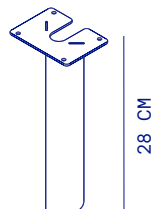


GROUND SPIKE RAY

To be used for: → pg 56 RAY

GROUND SPIKE RAY

9018

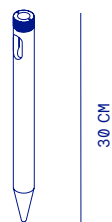


GROUND SPIKE TORCH

To be used for: → pg 62 TORCH

GROUND SPIKE TORCH

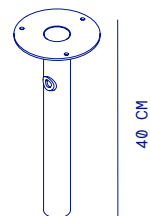
9010

**GROUND SPIKE VECTOR POLE**

To be used for: → pg 66 VECTOR POLE

GROUND SPIKE VECTOR POLE

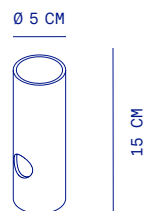
9015

**GROUND TUBE EOS**

To be used for: → pg 84 EOS

GROUND TUBE EOS

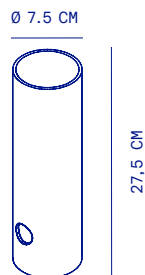
9026

**GROUND TUBE SELENE**

To be used for: → pg 86 SELENE

GROUND TUBE SELENE

9025

**MOUNT PLATE EDDY**

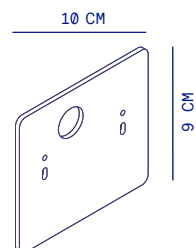
To be used for: → pg xx x

MOUNT PLATE EDDY BLACK

9032

MOUNT PLATE EDDY CORTEN

9033



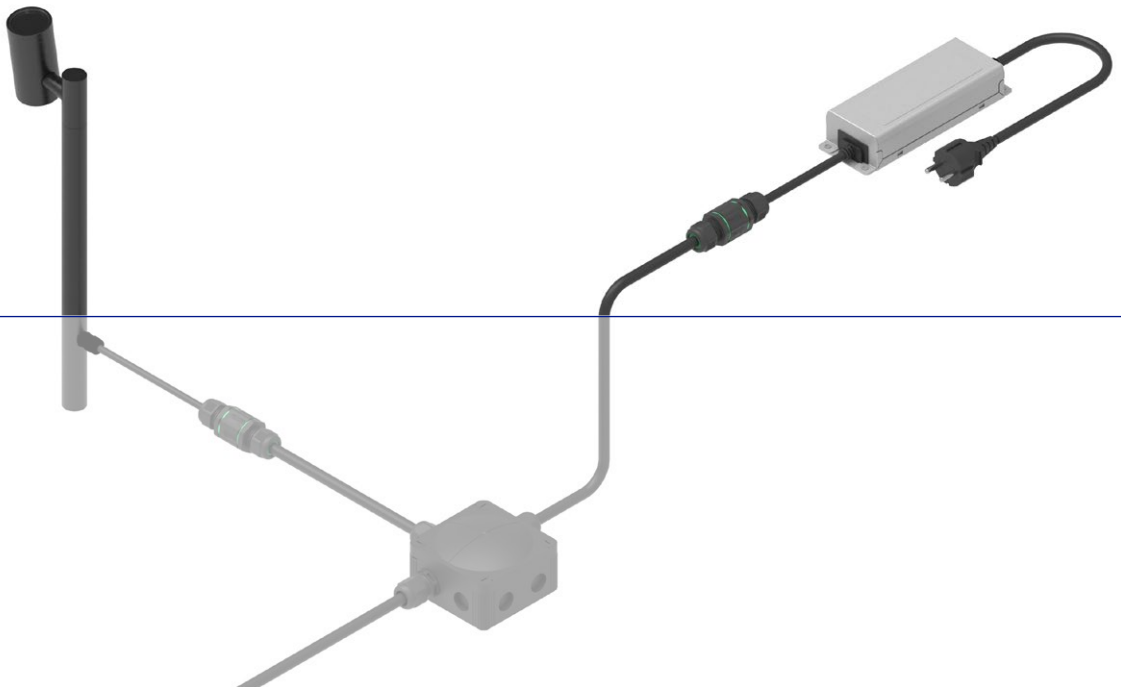
DX-CONNECT

INSTALLING 24V FIXTURES

DX-connect is the perfect solution for installing 24V fixtures in the garden; it is safe, easy to work with, and provides the most sustainable installation.

Only 4 components are needed for a complete installation: Power supply, Cable, Junction box and Connector.

Visit our website for more information and installation guidelines:
WWW.DEXTERLIGHTING.NL

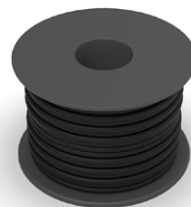


DX-CABLE

Durable waterproof 24V installation cable. Designed for outdoor and in-ground use.

DX CABLE 2X2.5 MM² SPOOL 50M

9070



DX-CONNECTOR

For a sturdy and waterproof in-ground connection of neoprene cable.

DX CONNECTOR

9051



DX-JUNCTION BOX

A kit for creating a robust and watertight in-ground cable joint, specifically designed for branch connections. This kit includes essential components such as resin, connectors, and a junction box to ensure durability and water resistance.

DX JUNCTION BOX

9054



DX-POWER SUPPLY

Euro plug power supplies for operating multiple Dexter 24V fixtures. The Euro plug guarantees a straightforward and rapid installation process.

DX POWER SUPPLY 150W ON-OFF

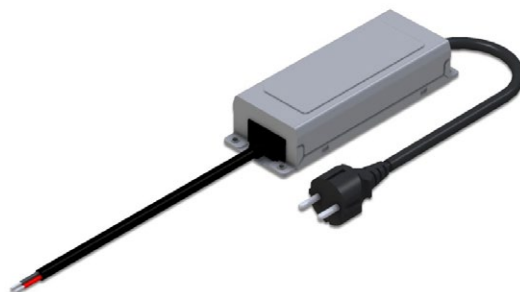
9139

DX POWER SUPPLY 120W CASAMBI

9136

DX POWER SUPPLY 120W DALI

9135

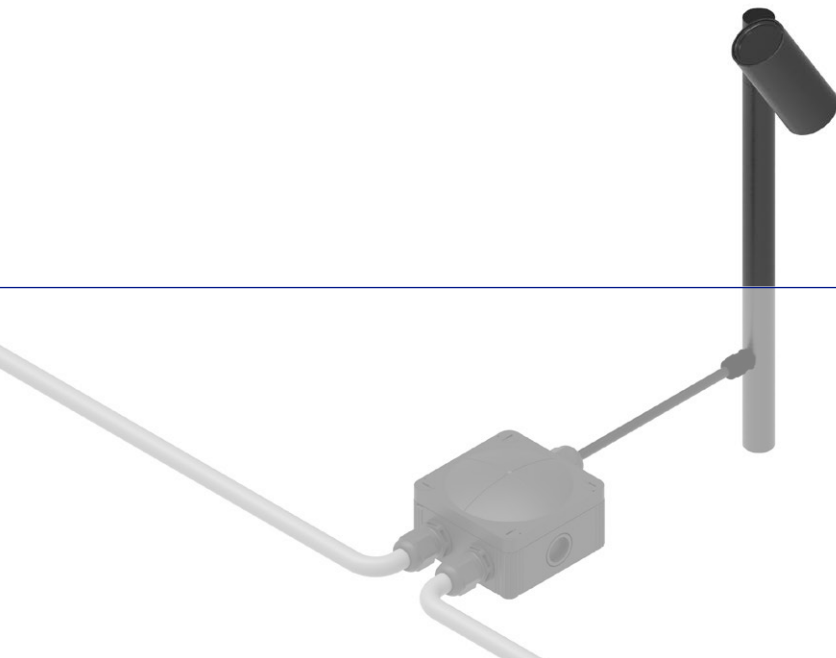


230V MAINS

FOR 230V GROUND CABLE

Connecting 24V DC fixtures to the 230V mains voltage installation cables is easy with our Power supply kit.

Visit our website for more information and installation guidelines:
WWW.DEXTERLIGHTING.NL



POWER SUPPLY KIT

A complete kit for creating a robust and water tight in-ground installation of Dexter 24V luminaires with a 230V ground cable.

This kit includes essential components such as a 15W DC driver, terminals, resin and junction box to ensure durability and water resistance.

The Power Supply is also available separately.

POWER SUPPLY 15W

9115

POWER SUPPLY 15W KIT

9153



MATERIALS & COLORS

The material, colors and surface treatments are carefully selected and applied for each model to obtain the quality that outdoor lighting requires. Dexter luminaires are available in either stainless steel, anodised aluminium or powder coated aluminium.



POWDER COATED ALUMINIUM

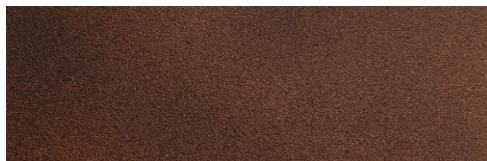
Pre treatment of the aluminium parts is essential to obtain an enduring protection. All powder coated parts are pretreated with a 7 baths series. For its excellent weathering resistance and mechanical properties, we use the architectural polyester quality Alesta® AP powder coatings.

With the corten color, each fixture is unique and will have its own distinctive appearance

- AVAILABLE COLORS
black, corten, olive green, white



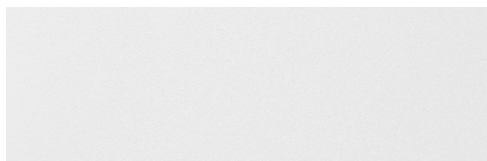
→ black



→ corten



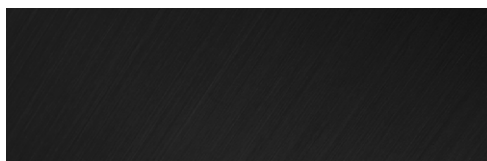
→ olive green



→ white

ANODISED ALUMINIUM

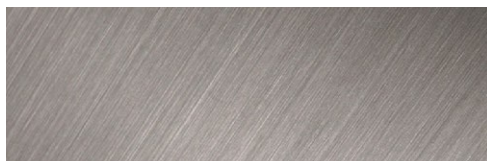
For the aluminium anodised luminaires all aluminium parts are electrolytic anodised and sealed to increase the resistance to corrosion and wear. To obtain a high UV and chemical resistance the parts are electrolytic colored.



→ anodised black

STAINLESS STEEL

All stainless steel luminaires are made out of the 316 grade, also referred to as marine grade stainless. The surface finish is matt brushing,



→ stainless steel

DEXTER 2024

CONCEPT & DESIGN

hatsandtales.nl

PHOTOGRAPHY

portraits & products

rozaschous.nl

3D WORLDS

casestudyhomes.com

COPYWRITING

hartvoorverhalen.nl

PRINTING

Tuijtel.com

CONTACT

Dexter Design BV

Schiemond 20

3024 EE Rotterdam

The Netherlands

+31 10 276 25 17

info@dexterlighting.nlwww.dexterlighting.nl

For the latest edition of our catalogue visit our website www.dexterlighting.nl

All information in this catalogue is provided for information purposes only. Dexter Design BV is not responsible for printing errors, wrong dimensions, descriptions or technical data. Dexter Design BV reserves the right to amend all products herein detailed, at any time and without prior notice.





DEXTERLIGHTING.NL